

4

3

2

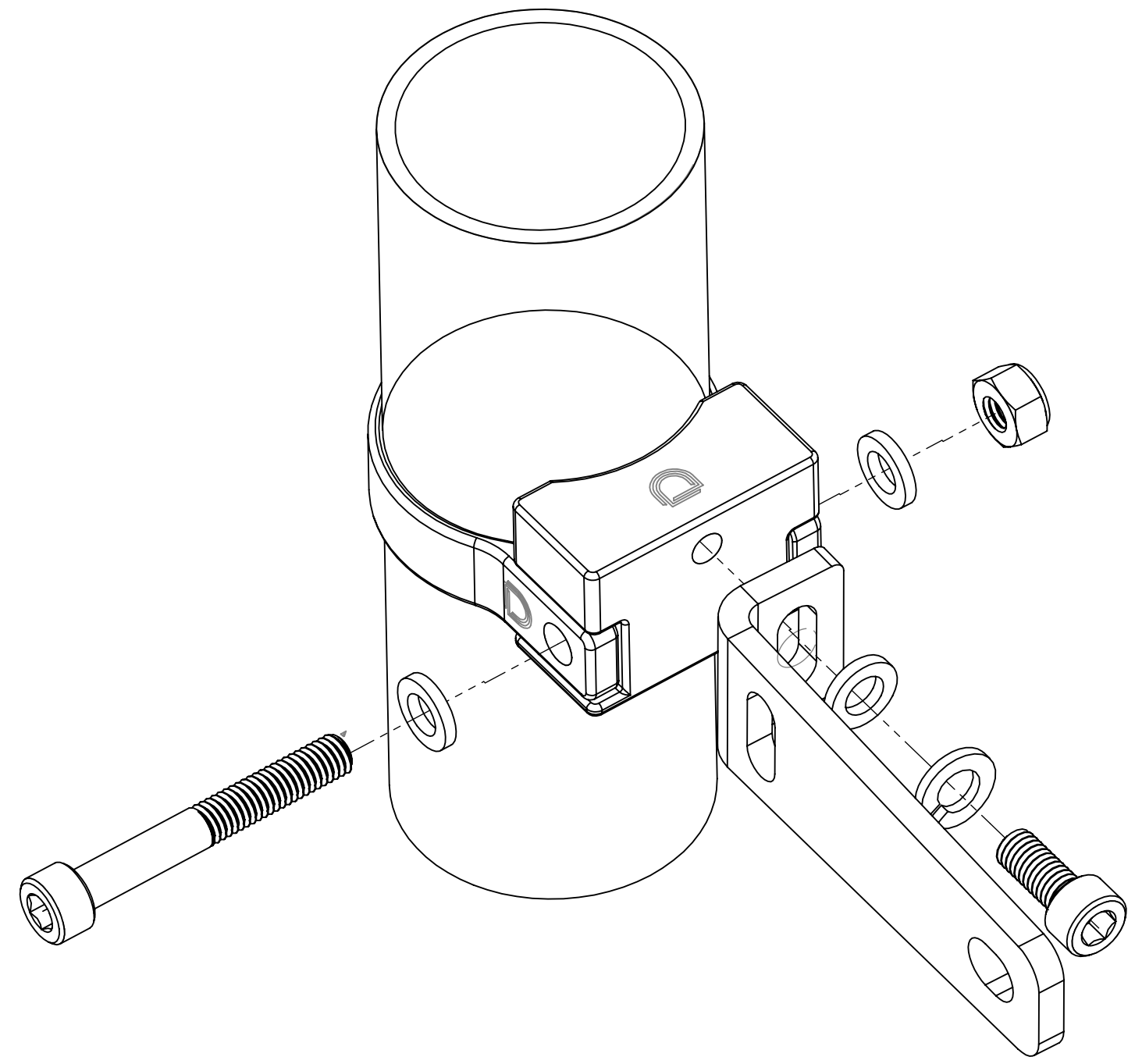
1

B

B

A

A



NOTE: Clamp shown in the exploded view is 1.75in.

4

3

2

1