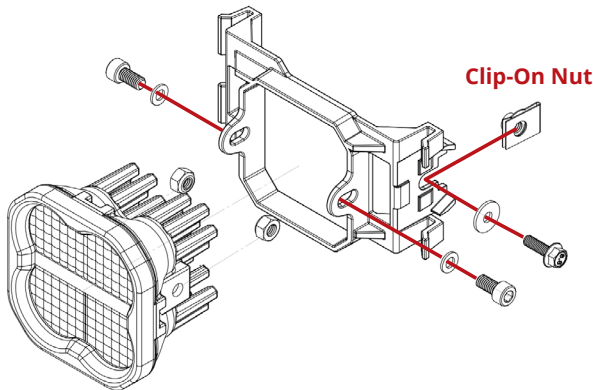




Thank you for your purchase of our new SS3 Type X Foglight Kit. CAD-designed to use existing mounting points, this kit is compatible with the 2011-2014 Subaru WRX and 2008-2009 Subaru Legacy. Basic installation instructions are included below.

Please contact us if you have any questions.

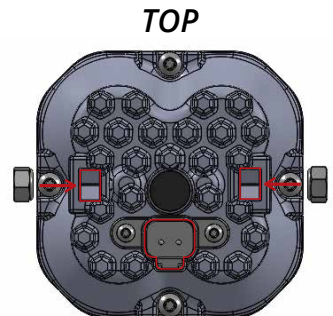


Passenger/Right Side (opposite for Driver/Left side)

1. Install the supplied clip-on nut onto the bracket, with the threads facing toward the SS3 pod. Then install the supplied nuts into the pod housing with the nylon facing inward.

2. Attach the bracket to the pod using the supplied screws and washers. See diagram above. The screws will also determine the aim of your SS3 pods.

COMPUTER DESIGNED
OEM FITMENT



TOP

BOTTOM

See back for further instructions.



3. Remove the two push clips securing the fender liner to the bottom of the bumper.

Then remove the 10mm bolt securing the fender liner to the bottom of the bumper.



4. Pull the fender liner back and remove the two 10mm bolts holding the factory fog lamp in place. Remove the factory lamp.



5. Install the SS3 pod and bezel onto the vehicle using the included 8mm hex bolt.

6. Plug the SS3 into the factory fog light harness using the included DT wire adapter. Test function. If the light does not turn on, try flipping the connector 180°.

7. Adjust and aim the fog light according to your local and state laws. To adjust, loosen the screws on the sides of the bracket, aim, and re-tighten. In general, fog lamps should be angled slightly downwards to illuminate the area directly in front of the vehicle, below your headlamps.

Please contact **Diode Dynamics** should you have any questions about the installation or wiring process, at **314-205-3033** (9a-5p CST) or **contact@diodedynamics.com**.

NEED MORE HELP?

Scan the QR code to link to our YouTube Channel!

We continuously bring in vehicles to our testing garage in order to create step-by-step videos to walk you through the installation process on your specific vehicle. Scan the QR code to see all our installation videos. Be sure to subscribe to our channel to stay up-to-date on the newest products and videos from Diode Dynamics!

YouTube



This installation guide is for the following SKUs:

DD6545 Worklight SS3 Sport Type X Kit White Driving
DD6546 Worklight SS3 Sport Type X Kit White Fog
DD6547 Worklight SS3 Sport Type X Kit Yellow Fog

DD6548 Worklight SS3 Pro Type X Kit White Driving
DD6549 Worklight SS3 Pro Type X Kit White Fog
DD6550 Worklight SS3 Pro Type X Kit Yellow Fog