

DIODE DYNAMICS

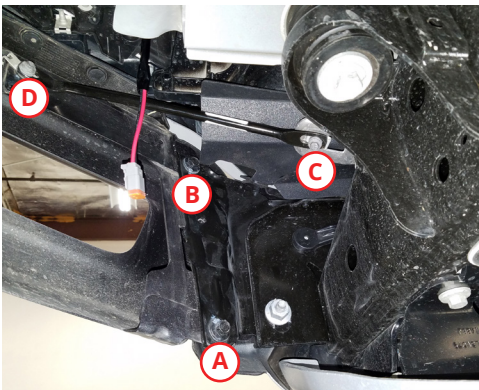
PERFORMANCE LIGHTING TECHNOLOGY

2017+ Ford Raptor Light Bar Mounting Bracket Installation Guide



Thank you for your purchase of this custom-designed light bar bracket for your 2017+ Ford Raptor! This kit utilizes both the factory and included hardware to mount the light bar bracket to the vehicle.

Tools Needed: 8mm and 13mm socket wrench

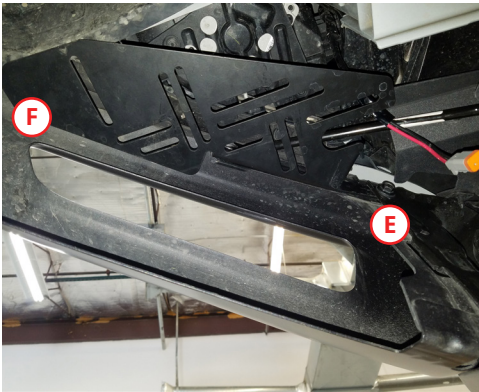


1. Using a 13mm socket, loosen screw **(A)**. Do not fully remove the screw. Next, remove screw **(B)**.
2. Using an 8mm socket, loosen screw **(C)** from the strut. Do not fully remove the screw. After that, remove screw **(D)** from the strut.

See back for further instructions.

2017+ Ford Raptor

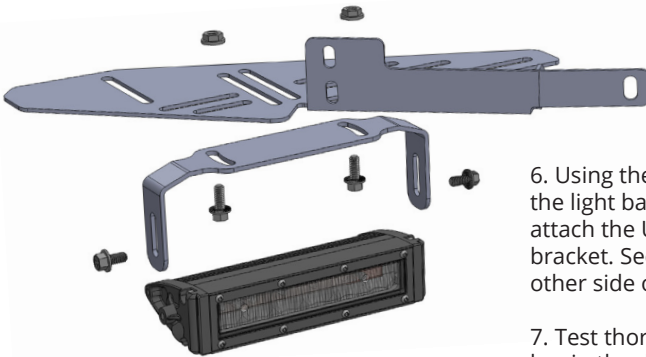
Light Bar Mounting Bracket Installation Guide



3. Slide your new light bar bracket in-between the bumper and the support (E). Using the stock mounting points, replace the original 13mm screw, only hand-tightening it.

4. Slide the other side of the light bar bracket between the strut and the bumper (F). Using the stock mounting points, replace the original 8mm screw, only hand-tightening it.

5. Tighten the screws that were hand-tightened and retighten the screws that were loosened to secure the bracket.



6. Using the included hardware, attach the light bar to the U-bracket and then attach the U-bracket to the mounted bracket. See diagram. Repeat for the other side of the vehicle.

7. Test thoroughly and aim the light bar in the desired direction before tightening all mounting hardware. Please check your local laws and regulations for aiming, installation, and applicability.

NEED MORE HELP?

Scan the QR code to link to our installation video online!

We've taken the time to test our products on your vehicle. We can guarantee compatibility and fitment the first time – no guessing game! If you need more help with installation, watch our step-by-step video to walk you through the process.



Please contact **Diode Dynamics** should you have any questions about the installation or wiring process, at **314-205-3033** (9a-5p CST) or **contact@diodedynamics.com**.